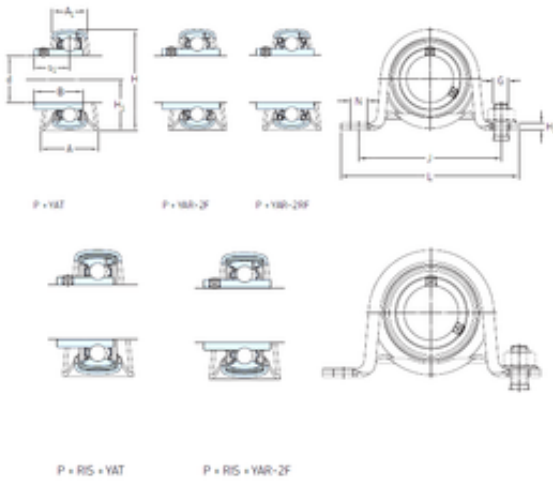




# Ukt Manufacturing Co., Ltd.



## SKF P 1.3/4 TF unit é s de roulement

Bearing No. P 1.3/4 TF

Bore Diameter	44,45 mm
d	44,45 mm
s1	30,2 mm
A	45 mm
A1	31 mm
B	49,2 mm
G	12 mm
H	92 mm
H1	46,4 mm
H2	6 mm
J	128 mm
L	156 mm
N	14 mm
Weight	1 Kg
Basic dynamic load rating (C)	33,2 kN
Basic static load rating (C0)	21,6 kN
Housing material	Pressed steel
A <sub>1</sub>	31 mm
B <sub>4</sub>	8 mm
H <sub>1</sub>	46.5 mm
H <sub>2</sub>	6 mm
s <sub>1</sub>	30.2 mm
Basic dynamic load rating C	33.2 kN
Basic static load rating C <sub>0</sub>	21.6 kN
Fatigue load limit P <sub>u</sub>	0.915 kN
Permissible radial housing	4.2 kN

P 1.3/4 TF Bearing 2D drawings and 3D CAD models



## Ukt Manufacturing Co., Ltd.

load max.	
Limiting speed	4300 r/min
Mass bearing unit	1.05 kg
Thread grub screw G <sub>2</sub>	5/16-24 UNF
Hexagonal key size for grub screw N	3.969 mm
Recommended tightening torque for grub screw	6.5 N · m
Recommended diameter for attachment bolts, mm G	12 mm
Recommended diameter for attachment bolts, inch G	0.5 in