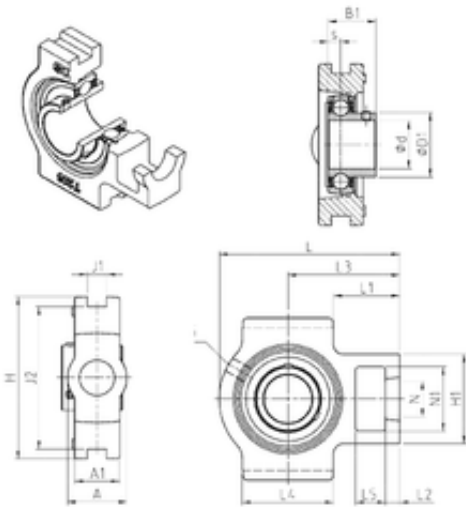




SNR UST211 unit é s de roulement

Bearing No. UST211



UST211 Bearing 2D drawings and 3D CAD models

Bore Diameter	55 mm
d	55 mm
L4	95 mm
L5	25 mm
L2	19 mm
L3	106 mm
s	11,8 mm
A	64 mm
A1	38 mm
B1	45,3 mm
D1	69 mm
H	146 mm
H1	102 mm
L	171 mm
L1	58,5 mm
N	35 mm
N1	64 mm
Thread (G)	M6x1
J1	22 mm
J2	130 mm
Weight	3,8 Kg
Basic dynamic load rating (C)	43,55 kN
A2	38 mm
B	45.3 mm
A5	33.5 mm
G	M6x1



Ukt Manufacturing Co., Ltd.

H2	102 mm
N2	64 mm
s1	22.65 mm
S	11.8 mm
SW	5 mm
C	43.55 kN
C0	29.2 kN
T min.	-20 ° C
T max.	100 ° C
Recommended tightening torque for set screw	22 Nm
Designation of housing	T211-
Designation of bearing	US211G2