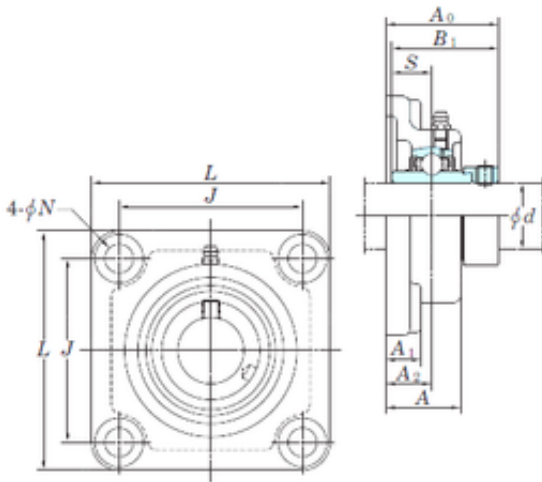




KOYO NANF212-39 unit é s de roulement

Bearing No. NANF212-39



NANF212-39 Bearing 2D drawings and 3D CAD models

Bore Diameter	61,9125 mm
d	61,9125 mm
A0	82,8 mm
A	55 mm
A1	21 mm
B1	77,8 mm
J	143 mm
L	175 mm
N	17 mm
S	31 mm
Bolt (G)	19,05
A2	36 mm
Weight	4,9 Kg
Basic dynamic load rating (C)	52,4 kN
Basic static load rating (C0)	36,2 kN