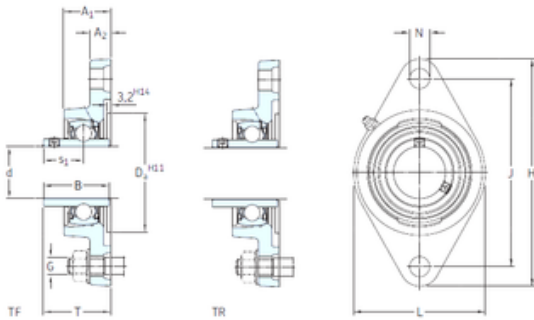




SKF FYTB 20 TR unit é s de roulement



Bearing No. FYTB 20 TR

Bore Diameter	20 mm
d	20 mm
Da	50,8 mm
s1	18,3 mm
A1	29,5 mm
B	31 mm
G	10 mm
H	112 mm
J	90 mm
L	60,5 mm
N	11,5 mm
T	37,3 mm
A2	11 mm
Weight	0,5 Kg
Basic dynamic load rating (C)	12,7 kN
Basic static load rating (C0)	6,55 kN
Fatigue load limit (Pu)	0,28
Category	Flange Block Bearings
Inventory	0.0
Manufacturer Name	SKF
Minimum Buy Quantity	N/A
Weight / Kilogram	0.5
EAN	7316571175270
Product Group	M06110
Number of Mounting Holes	2
Mounting Method	Set Screw

FYTB 20 TR Bearing 2D drawings and 3D CAD models



## Ukt Manufacturing Co., Ltd.

Housing Style	2 Bolt Flange Block
Rolling Element	Ball Bearing
Housing Material	Cast Iron
Expansion / Non-expansion	Non-expansion
Mounting Bolts	10 Millimeter
Relubricatable	Yes
Insert Part Number	YAR 204-2RF
Seals	Multi Function Seal
Housing Configuration	1 Piece Solid
Pilot Configuration	No Pilot
Inch - Metric	Metric
Long Description	2 Bolt Flange Block; 20MM Bore; 90MM Bolt Circle; 90MM Bolt Spacing; 1 Piece Solid; Set Screw Mount; Cast Iron; Ball Bearing; 31MM Length Thru Bore; Relubricatable; Multi Function Seal Seals
Other Features	Single Row   Standard Duty   Wide Inner Race   Open End   Has Flinger   Y Bearing
Category	Flange Block
UNSPSC	31171501
Harmonized Tariff Code	8483.20.40.40
Noun	Bearing
Keyword String	Flanged
Manufacturer URL	<a href="http://www.skf.com">http://www.skf.com</a>
Manufacturer Item Number	FYTB 20 TR
Weight / LBS	1.1
Bore	0.787 Inch   20 Millimeter
Cartridge Pilot Depth	0 Inch   0 Millimeter
Cartridge Pilot Diameter	0 Inch   0 Millimeter
Length Thru Bore	1.22 Inch   31 Millimeter



## Ukt Manufacturing Co., Ltd.

Bolt Spacing	3.543 Inch   90 Millimeter
Nominal Bolt Circle Diameter Round	3.5 Inch   90 Millimeter
Housing material	Cast iron
$D_a$	50.8 mm
$D_{b1}$	58 mm
$D_{b2}$	60.5 mm
A	29.5 mm
$A_1$	11 mm
$A_3$	3.2 mm
$A_5$	18.5 mm
$B_4$	4.5 mm
$s_1$	18.3 mm
$R_G$	1/4-28 UNF
$R_1$	20 mm
R	45 °
$D_N$	6.5 mm
$SW_N$	7 mm
$G_N$	1/4-28 SAE-LT
$J_6$	74 mm
$J_7$	11.5 mm
$N_4$	2 mm
Basic dynamic load rating C	12.7 kN
Basic static load rating $C_0$	6.55 kN
Fatigue load limit $P_u$	0.28 kN
Limiting speed	5000 r/min
Mass bearing unit	0.43 kg
Thread grub screw $G_2$	M6x0.75
Hexagonal key size for grub screw N	3 mm
Recommended tightening torque for grub screw	4 N · m
Recommended diameter for	10 mm



## Ukt Manufacturing Co., Ltd.

attachment bolts, mm G	
Recommended diameter for attachment bolts, inch G	0.375 in